



TEREX®

RL4000

Light Towers

LIGHT TOWER
RL4000



Features

- Dual self-braking winch design for fast and easy tower erection and extension.
- 30 ft (9.14 m) light height at full extension for excellent illumination at long distances.
- 359 degree non-continuous tower rotation to provide pin-point light positioning at your work site.
- 4,000 Watts of light
- Quiet 71 dBA sound levels at 23 feet (7 m).
- Excellent fuel economy providing up to 60 hours of run time per tank of fuel.
- Maintenance-friendly electrical assemblies make troubleshooting, service and repair a breeze.
- 3 cylinder diesel engine powers a brushless self regulated type generator.
- Centerpoint lifting bracket and fork lift pockets make transport easy.
- Compact design allows up to 10 units per truck load.
- Engine protection includes high water temperature and low oil pressure shutdowns.
- Cabinet is protected with a durable, fade resistant finish.

Light Towers RL4000

Specifications

Lamps	Metal halide 4 x 1,000 W
Generator	Brushless 60 Hz, 6.0 kW
Engine	Kubota diesel 13.6 hp
Receptacles	One GFI duplex 20 A / 120 V One T/L 30 A / 240 V
Fuel capacity	30 gal (114 L)
Wheel size	13" (33 cm)
Axle rating	2,000 lbs (907 kg)
Tongue weight travel position	199 lbs (91 kg)
Total weight no fuel	1,725 lbs (783 kg)

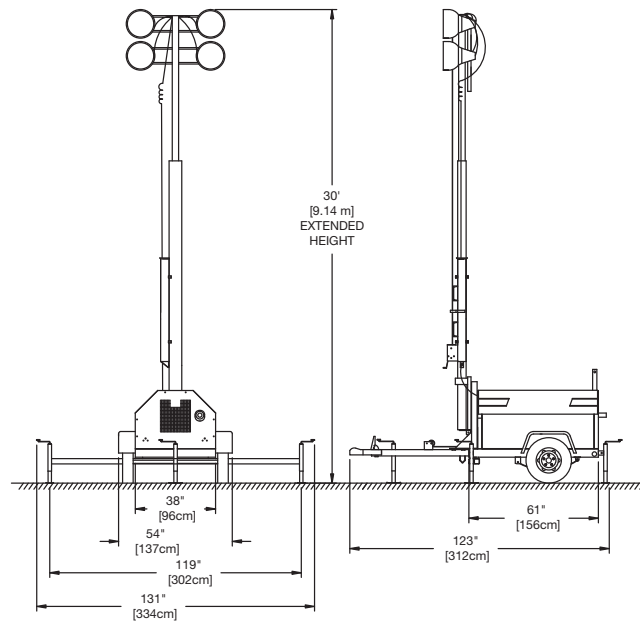
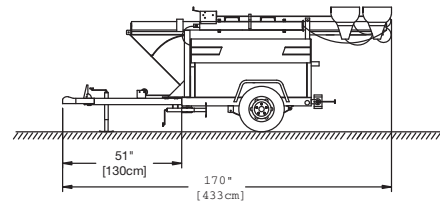
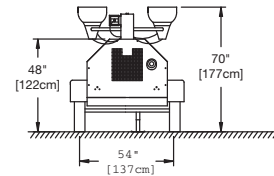
Notice: Metal halide lamp bulbs contain mercury (Hg).

Dispose of lamp bulbs according to local, state and federal laws.

Options and Accessories

12 volt dome light with switch
4 horizontally mounted lights, cast aluminum square housing
50 hz, 7 kW generator, 13.6 hp Kubota engine
60 hz, 8 kW generator, 13.6 hp Kubota engine
60 hz, 6 kW generator, Perkins Tier IV 13.8 hp
700 CCA battery
Battery heater blanket
Block heater
Combination ring/ball hitch
DOT tail light package (6 or 7 pole)
Export racking/preparation
Fuel/water separator filter
Fuel/water separator with fuel line heater
Low temperature coolant mixture (-40 deg F)
Ring hitch 2.5"

Dimensions



Terex Aerial Work Platforms

18340 NE 76th Street
PO Box 97030
Redmond, WA 98073-9730

TEL +1 (425) 881-1800
TOLL FREE +1 (800) 536-1800
PARTS & TECH SUPPORT +1 (800) 228-6444
FAX +1 (425) 883-3475
WEB www.genieindustries.com

For more information, product demonstration, or details on purchase, lease and rental plans, please contact your local Terex AWP distributor.